

Freeman Group Ltd STANDING SEAM TRAY

STANDING SEAM material	
0.55mm	Colorsteel® Endura
0.55mm	Colorsteel® Maxx
0.55mm	Zincalume

Barge flashing BMT to match STANDING SEAM TRAY material

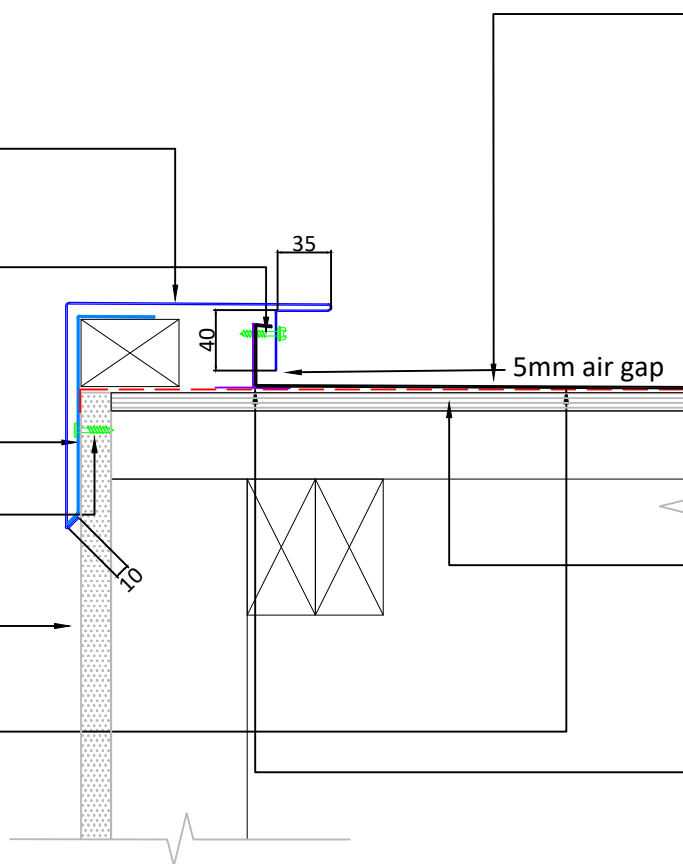
Hex Head screws

Under flashing BMT to STANDING SEAM TRAY material

Pan head fixings

Selected wall cladding

Vapour barrier/ Roofing Underlay and drainage matt to underside of tray cladding



5mm air gap

12mm min plywood substrate refer architect or building designer for timber treatment

STANDING SEAM TRAY clip

Notes:

Roof void ventilation may require consideration as tray panels do not provide roof ventilation.