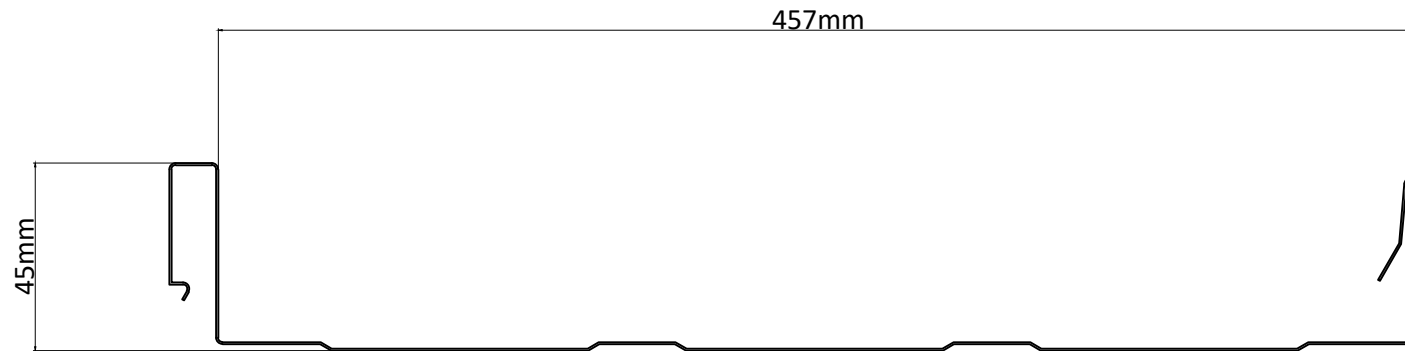


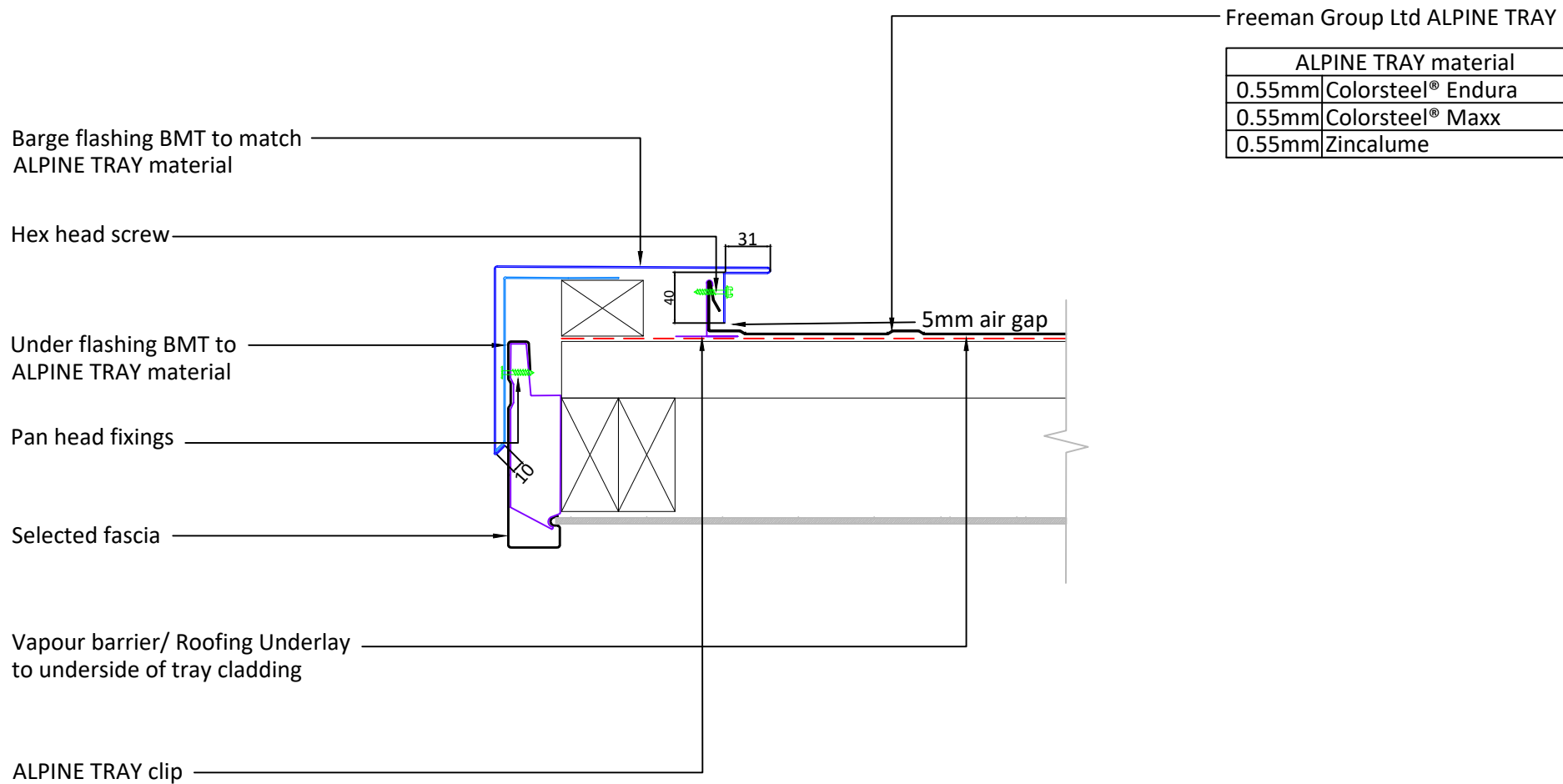
Document Transmittal

Drawings:			
Document Name:	Tray Profile	Description:	Issue Date:
ALP-CVR		Cover Sheet	09/10/2019
ALP-PR1	ALPINE TRAY	Tray Profile	09/10/2019
ALP-BB1	ALPINE TRAY	Barge board flashing & fixing	09/10/2019
ALP-BF1	ALPINE TRAY	Barge flashing & fixing	09/10/2019
ALP-RH1	ALPINE TRAY	Ridge/Hip flashing & fixing	09/10/2019
ALP-EG1	ALPINE TRAY	Eaves Gutter flashing & fixing	09/10/2019
ALP-AP1	ALPINE TRAY	Apex Barge flashing & fixing	09/10/2019
ALP-AP2	ALPINE TRAY	Upper Apron flashing & fixing	09/10/2019
ALP-AP3	ALPINE TRAY	Parallel apron flashing & fixing	09/10/2019
ALP-VF1	ALPINE TRAY	Valley flashing & fixing	09/10/2019

Freeman Group Ltd ALPINE TRAY

ALPINE TRAY material	
0.55mm	Colorsteel® Endura
0.55mm	Colorsteel® Maxx
0.55mm	Zincalume





Notes:
 Roof void ventilation may require consideration as tray panels do not provide roof ventilation.

Freeman Group Ltd ALPINE TRAY

ALPINE TRAY material	
0.55mm	Colorsteel® Endura
0.55mm	Colorsteel® Maxx
0.55mm	Zincalume

Barge flashing BMT to match ALPINE TRAY material

Hex head screw

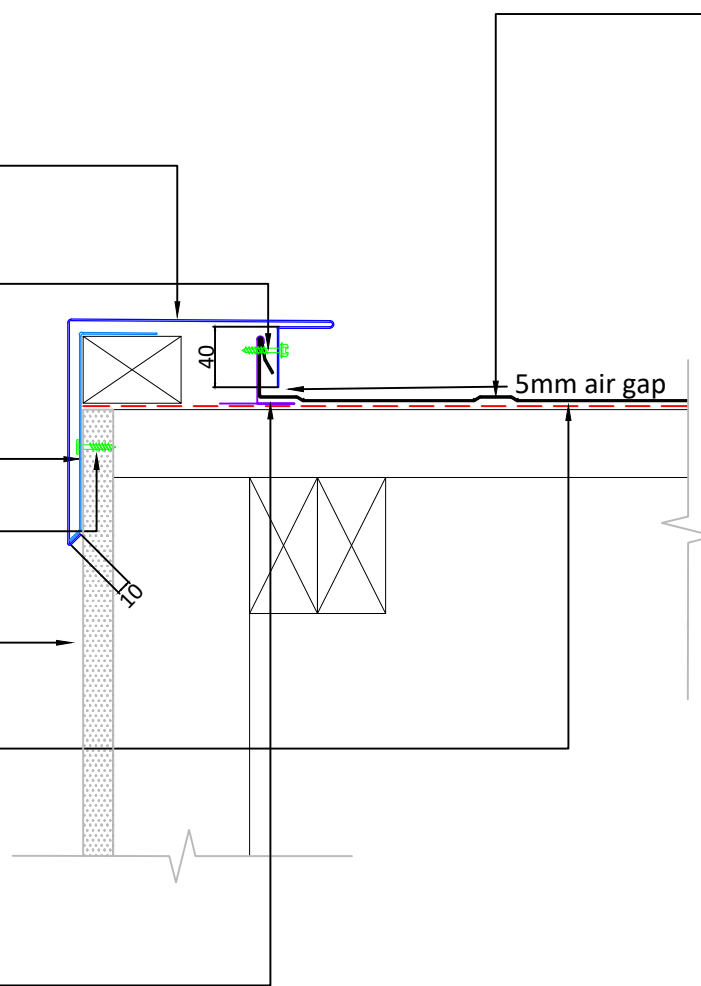
Under flashing BMT to ALPINE TRAY material

Pan head fixings

Selected wall cladding

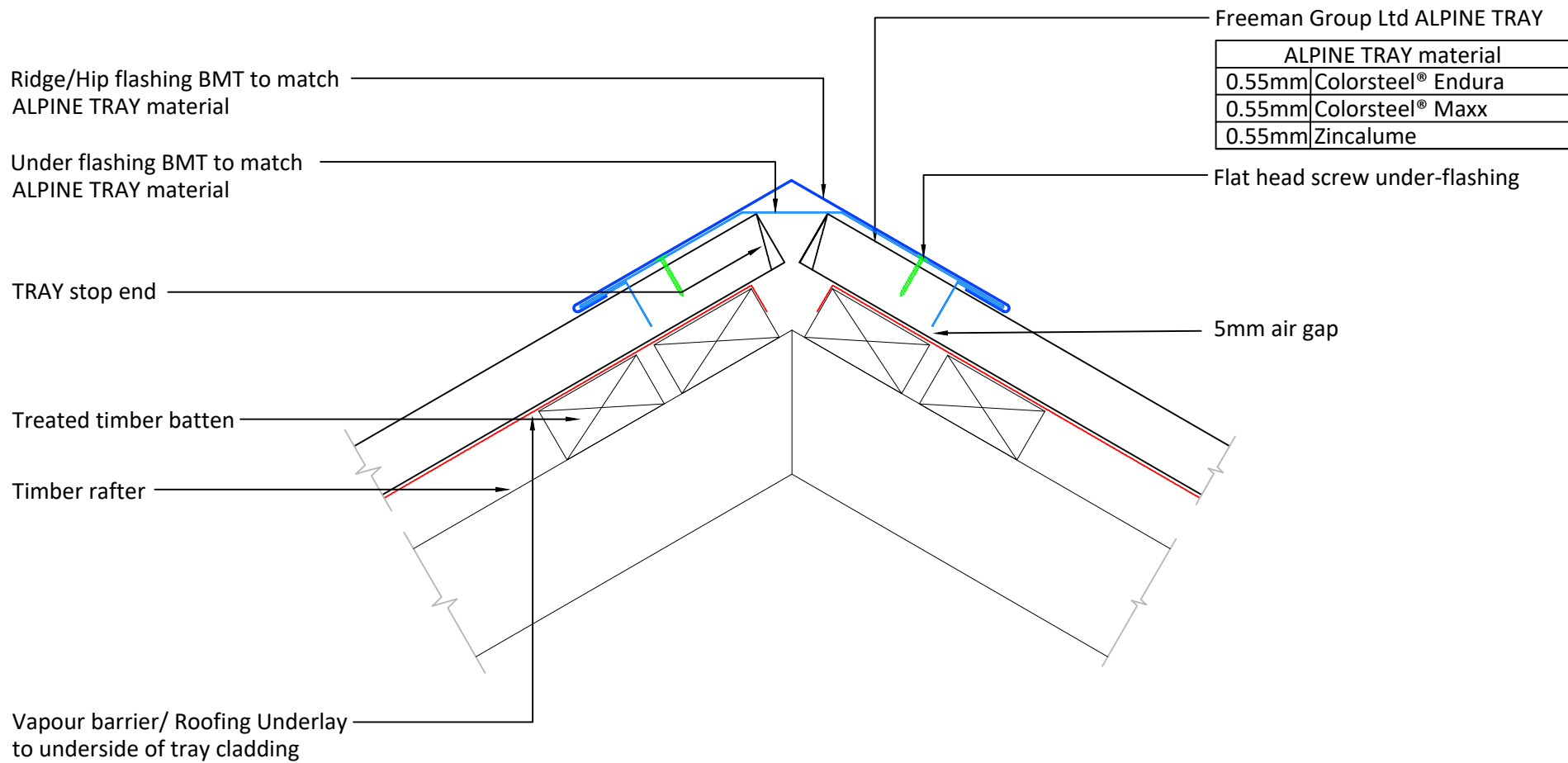
Vapour barrier/ Roofing Underlay to underside of tray cladding

Vapour barrier/ Roofing Underlay

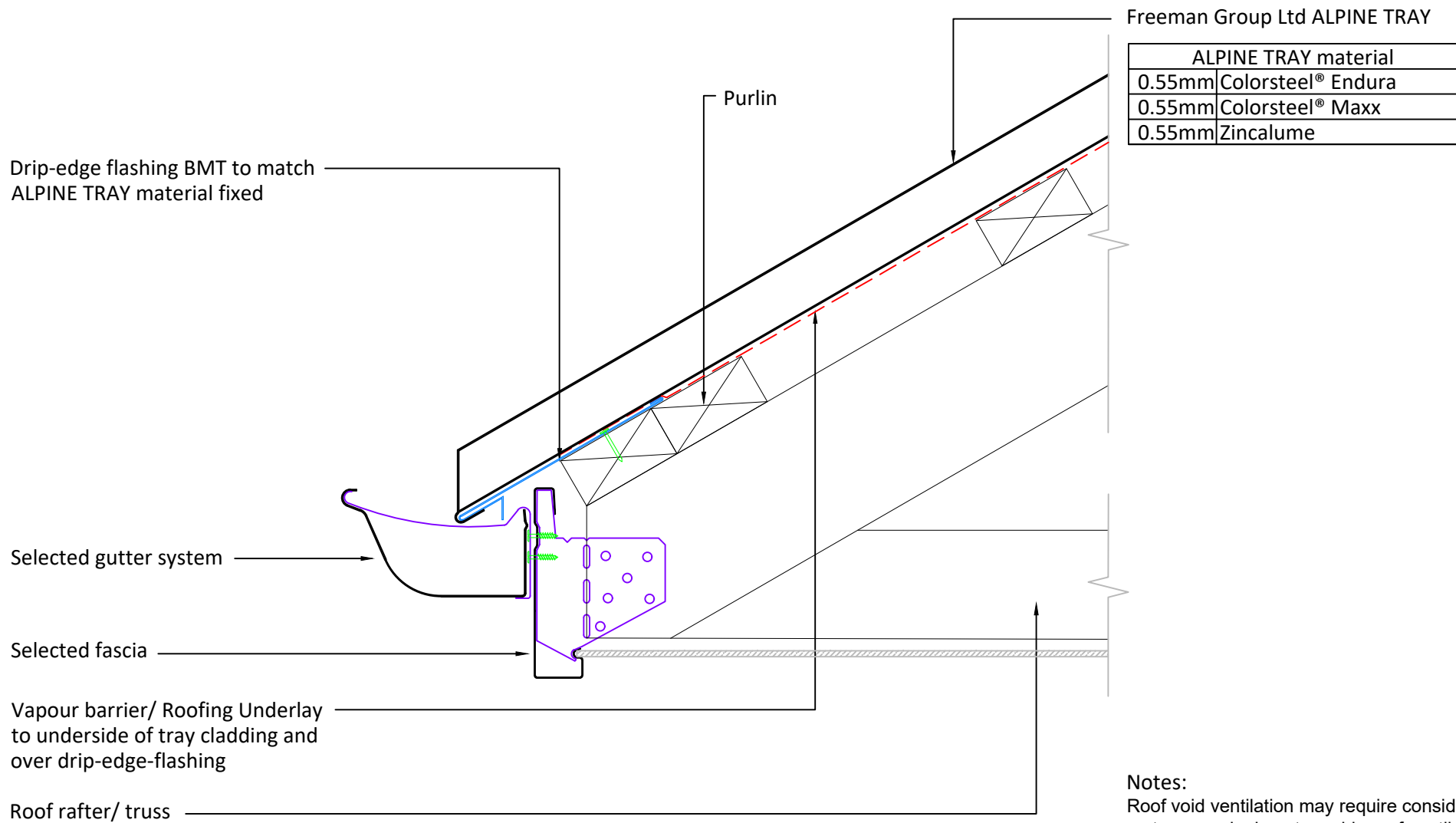


Notes:

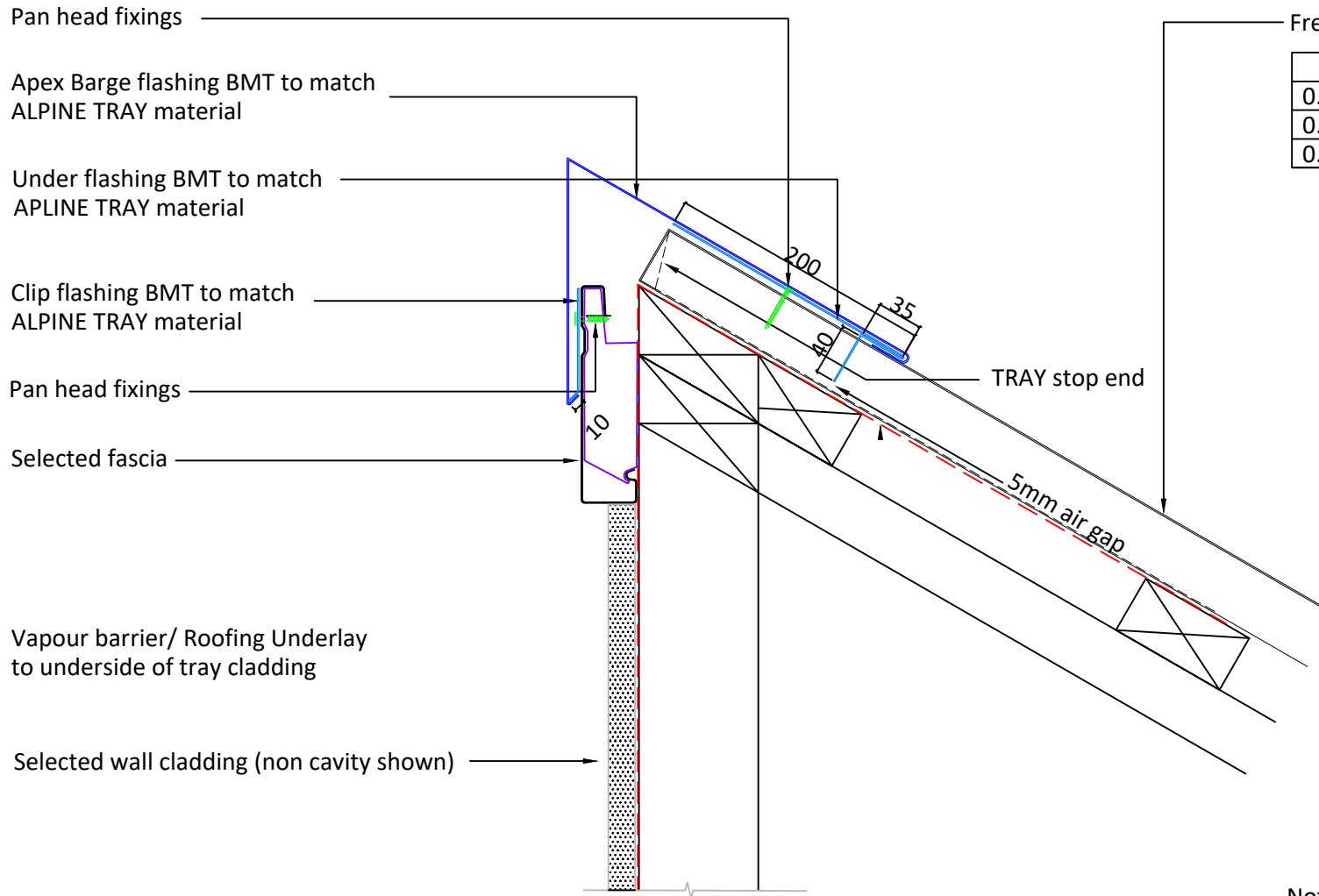
Roof void ventilation may require consideration as tray panels do not provide roof ventilation.



Notes:
 Roof void ventilation may require consideration as tray panels do not provide roof ventilation.



Notes:
 Roof void ventilation may require consideration as tray panels do not provide roof ventilation.



Freeman Group Ltd ALPINE TRAY

ALPINE TRAY material	
0.55mm	Colorsteel® Endura
0.55mm	Colorsteel® Maxx
0.55mm	Zincalume

Notes:
Roof void ventilation may require consideration as tray panels do not provide roof ventilation.

Freeman Group Ltd ALPINE TRAY

ALPINE TRAY material	
0.55mm	Colorsteel® Endura
0.55mm	Colorsteel® Maxx
0.55mm	Zincalume

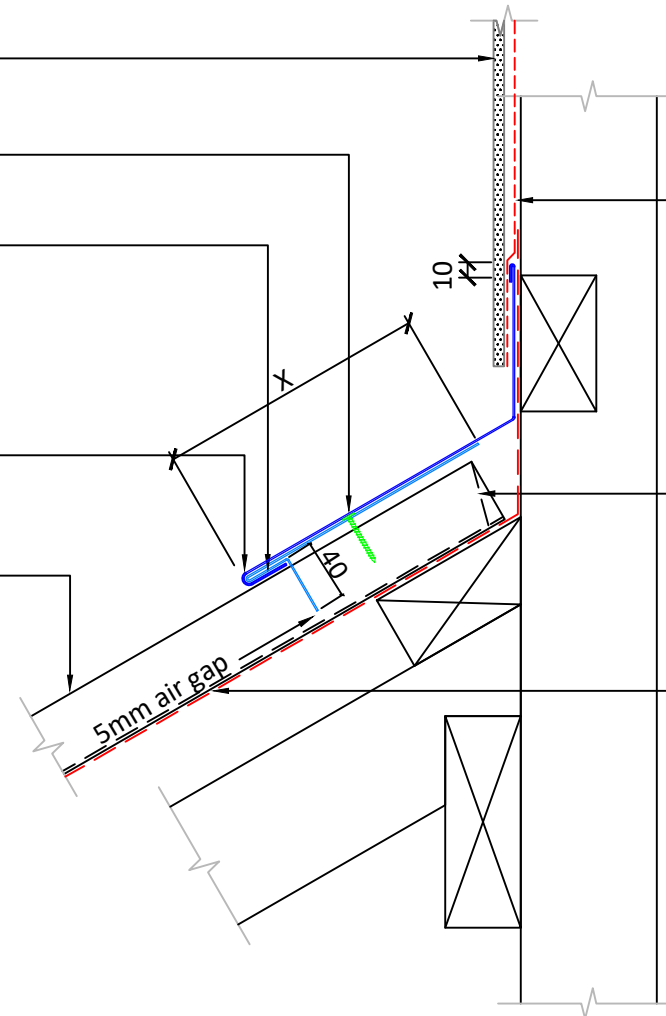
Wall cladding (non cavity shown)

Pan head fixing to under-flashing

Under flashing BMT to match ALPINE TRAY material

Apron flashing BMT to match ALPINE TRAY material

Freeman Group Ltd ALPINE TRAY



Vapour barrier/ Wall Underlay overlap as shown

TRAY stop end

Vapour barrier/ Roofing Underlay to underside of tray cladding

Notes:
Roof void ventilation may require consideration as tray panels do not provide roof ventilation.

Wall cladding (non cavity shown)

Hex Head Screw

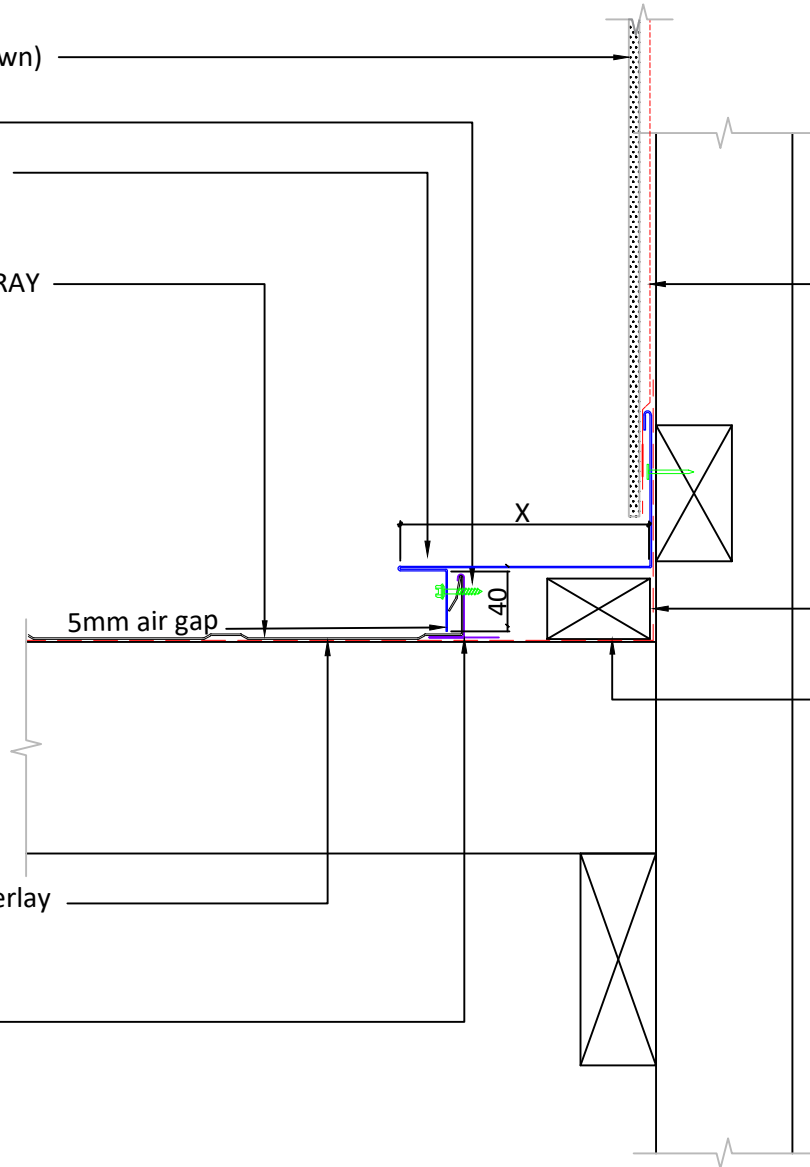
Apron flashing BMT to match ALPINE TRAY material

Freeman Group Ltd ALPINE TRAY

Freeman Group Ltd ALPINE TRAY

ALPINE TRAY material	
0.55mm	Colorsteel® Endura
0.55mm	Colorsteel® Maxx
0.55mm	Zincalume

Vapour barrier/ Wall Underlay



Vapour barrier/ Wall Underlay lap as shown

Treated timber batten

Vapour barrier/ Roofing Underlay to underside of tray cladding

ALPINE TRAY clip

Notes:
Roof void ventilation may require consideration as tray panels do not provide roof ventilation.

Drip-edge flashing BMT to match ALPINE TRAY material

Vapour barrier/ Roofing Underlay to underside of tray cladding

Purlin

Valley flashing BMT to match ALPINE TRAY material

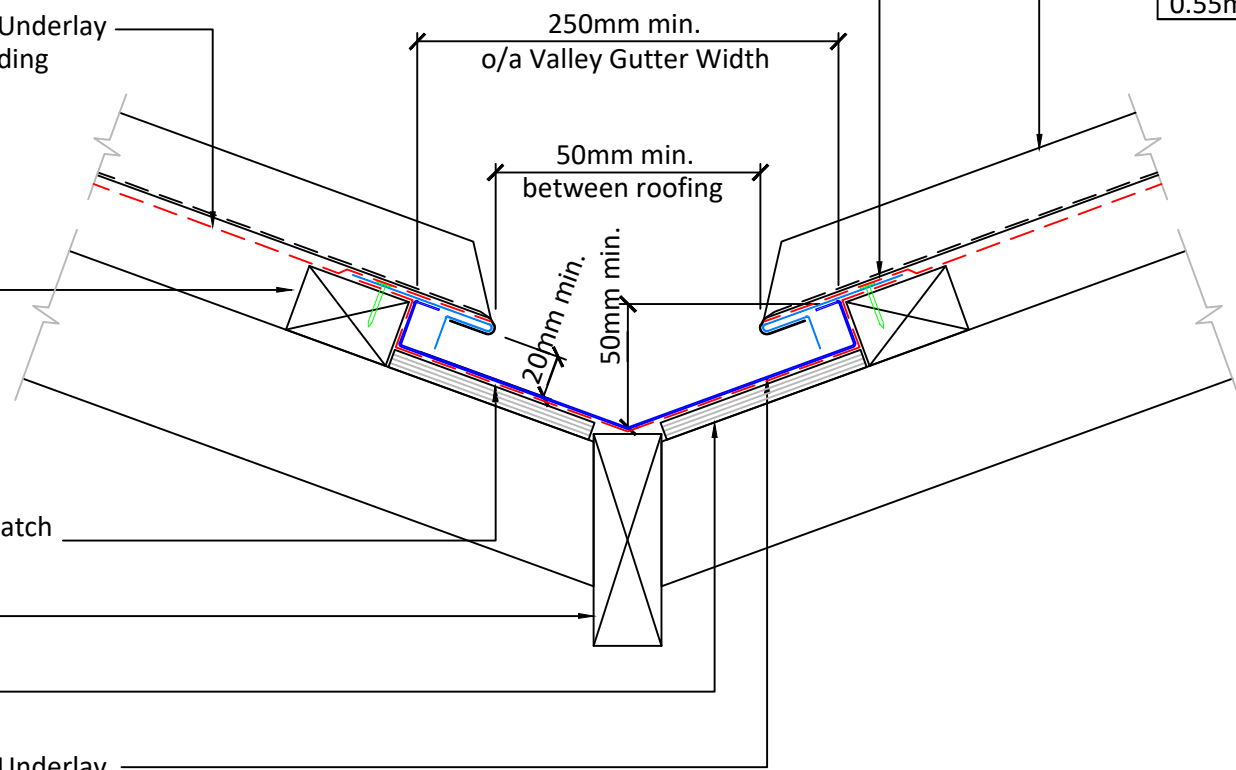
Valley rafter

Valley board / ply

Vapour barrier/ Roofing Underlay to underside of valley flashing, lap over purlin/ under drip-edge flashing

Freeman Group Ltd ALPINE TRAY

ALPINE TRAY material	
0.55mm	Colorsteel® Endura
0.55mm	Colorsteel® Maxx
0.55mm	Zincalume



Notes:
Roof void ventilation may require consideration as tray panels do not provide roof ventilation.