

General Notes:

1. DO NOT SCALE. Use figured dimensions only.
2. CURRENT ISSUE ONLY* – verify latest revision before use.
3. Detail shows typical interfaces for Freeman Roofing SS150 components only (tray/clips/flashings/accessories where noted).
4. Must be read with the current Freeman Roofing SS150 BPI / Installation Guide, relevant project documentation, and the NZ MRM Code of Practice**.
5. Primary structure, wind design pressures, fixing schedules and substrate design are by the building designer/engineer and are outside the scope of this detail.
6. Allow for thermal movement. Do not restrain trays at flashings/junctions unless specifically detailed.
7. Standing seam performance is sensitive to substrate stiffness/flatness and workmanship; oil canning (visual waviness) and noise may occur depending on project conditions and are typically aesthetic/comfort related rather than a watertightness issue.
8. Wall-cladding performance (WRB/wall system, drainage/ventilation/cavity, insulation/acoustics) is by others and must meet NZBC requirements.

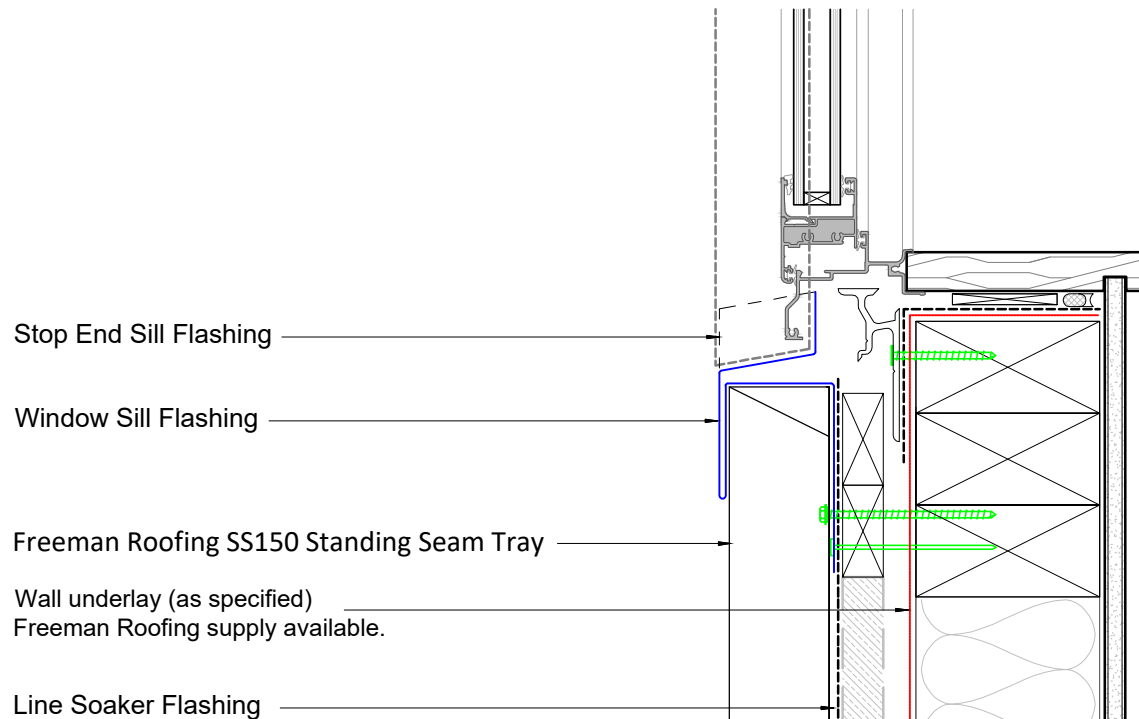
REFERENCES (CURRENT)

*Freeman Roofing documentation: SS150 BPI / Installation Guide + current design details. <https://www.freemanroofing.co.nz>

**NZ MRM Code of Practice – Tray Roofing:
<https://www.metalroofing.org.nz/cop/other-products/tray-roofing>

NZ Building Code compliance pathway: Acceptable / Verification / Alternative Solution as applicable (confirm with consent authority).

Wind actions & design: NZS 3604 and/or AS/NZS 1170.2 as applicable (project designer/engineer).



Freeman Roofing scope: SS150 tray, clips, flashings (and fascia/barge where specified).
By others: structure, substrate design/fixing, WRB/wall system, insulation/acoustics, design wind actions.